

#### Battery Box in a compact design



#### Smart LED energy indicator



Lithium- Battery Pack with a protection electronics (PCM single cells monitoring), Protects the battery against overcharge, deep discharge and short circuit always balanced cells.

**Connector:** Main line: cable with PP-connector (+ red and – black). [https://www.accupower.at/products\\_connector.php](https://www.accupower.at/products_connector.php)

#### Applications

Automotive  
Industrial  
Sport  
Medical  
and others

#### State-of-charge LED-indicator

F : Full	L : Low
H : High	⚡ : Battery nearly empty
M : Medium	⚡ : Charge the battery

#### UN 38.3 Tested

OEM / ODM service & customized logo available

Pack specifications	
Nominal voltage	25.9 V
Capacity (nominal)	6600 mAh
Energy	171 Wh
Weight	1310 ± 15 grams
Size (L x W x H) mm	167 x 100 x 78.5 ±1
Operating specifications	
Operating voltage	29.4 V to 21.0 V
Charge voltage	(Max. 29.40 V )
Discharge end volt.	21.0V
Operating temperature: discharge charge	-20°C to 60°C 0°C to 45°C
Max. discharge current	10 A (Continuous) 30 A (Peak)
Max. charge current	5A (10A) @ (10°C-45°C)
Storage specifications	
Storage Temperature	1 year : -20~25°C(1*) 3 months : -20~45°C(1*) 1 month : -20~60°C(1*)
Relative humidity (45-75%)	
Protection classification IP54 to DIN EN 60529 (VDE0470)	

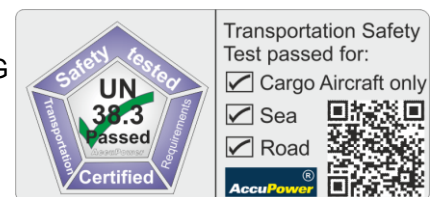
Note (1): If the battery is kept as ex-factory status (30% of charge), the capacity recovery rate is more than 80%.

#### Standard charging method

0.5C CC ( constant current ) charge to 29.40V, then CV (constant voltage 29.40V) charge till charge current decline to ≤ 0.02C

#### Transportation

Transport according to the current regulations: ADR / RID / ADN / IATA / IMDG  
Battery over 100Wh / Class: 9 / UN-Number: UN3480  
Shipping name: Lithium ion batteries  
Environmental hazards / Marine pollutant: No



#### Care and safety recommendations:

Never open, short circuit or put in fire. Do not install backwards. Avoid short circuit with metal objects.

#### Attention:

Improper handling may result in fire, personal injury or product failure due to leakage or Explosion. Use only the charger specified for this battery type. Improper use will reduce considerably the battery life. Please pay attention to following recommendations:

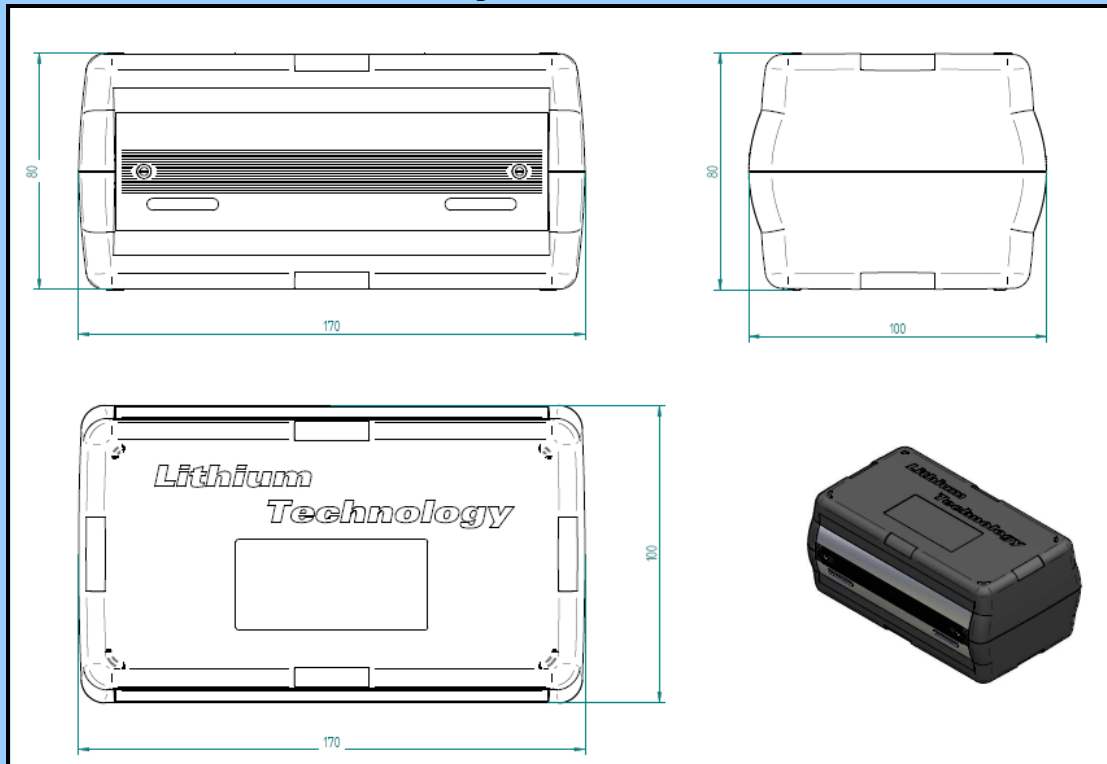
1. Always avoid Deep discharge of the battery
2. Charge the battery before longer Storage.
3. Use only the battery charger specified for this battery type.
4. Do not leave battery in charger over 24 hours.
5. Keep it in a cool and dry place.
6. Avoid exposure to high temperatures.
7. Do not disassemble or modify the battery, may cause the battery to generate heat, explode or ignite.
8. Dispose properly used batteries. Dispose it according to the applicable recycling regulations.

Contact your city recycling coordinator.

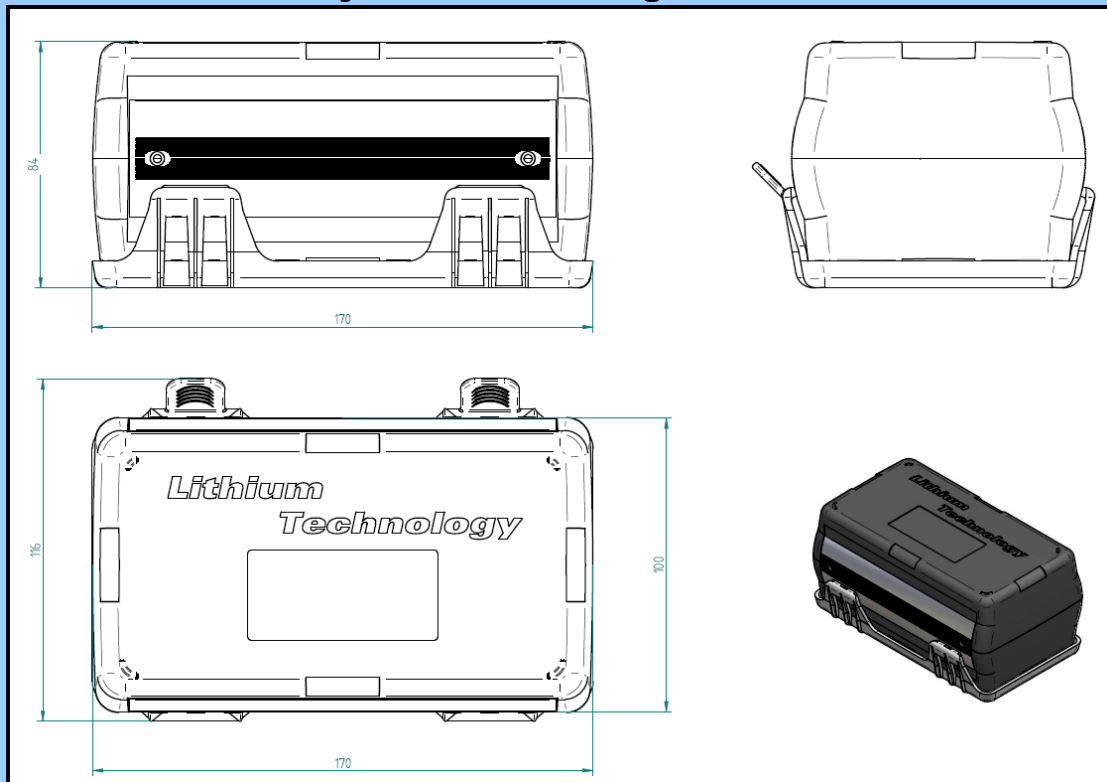
**Mechanical specifications**

**AccuPower** Lithium Technology Designed for Demanding Applications

**Battery box imensions**



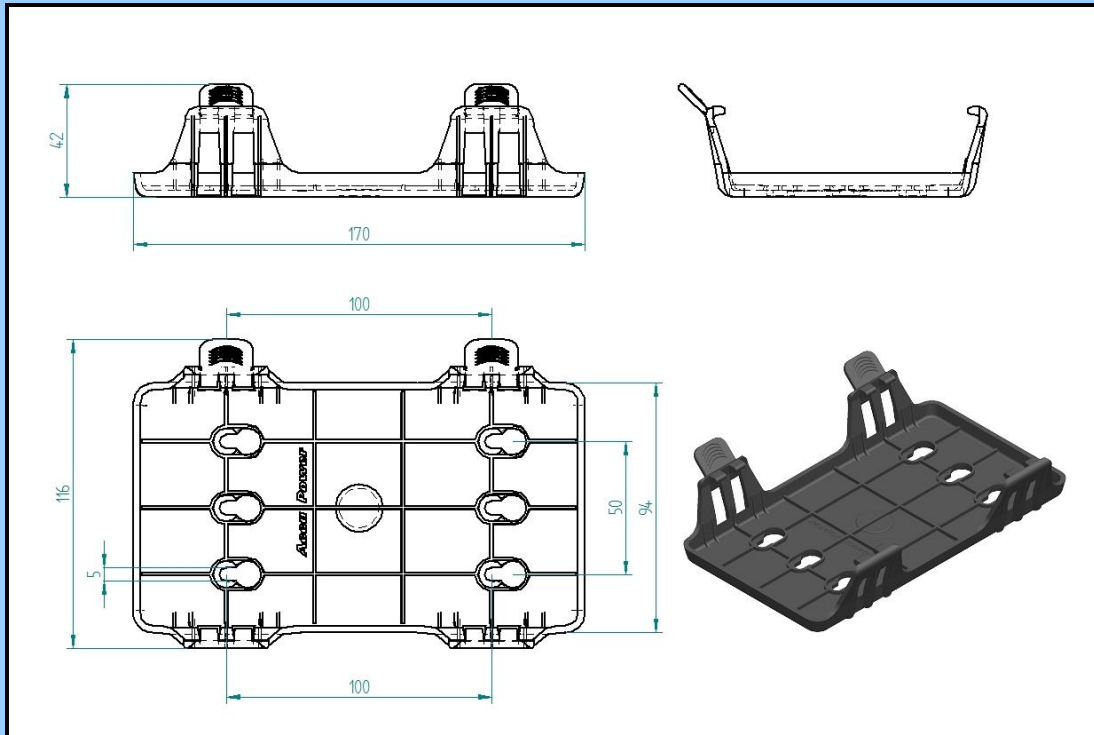
**Battery Box with holding down device**



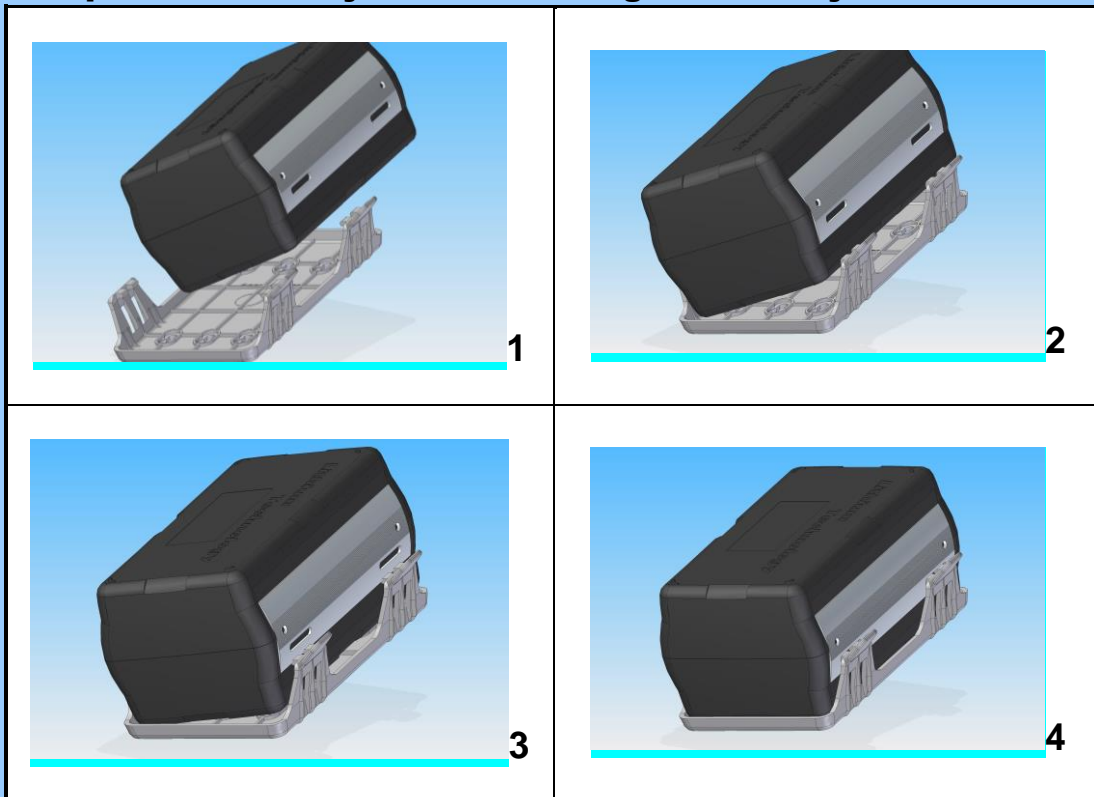
The battery box is fabricated from a durable plastic material for optimal resistance to shock, vibration and resistance to mechanical stress. Robust construction, snap-fit screwless assembly.

*OEM / ODM service & customized logo available*

**Holding down device work with snapping locking-system**



**the pictures show you how to fixing the battery on the holder**



**The holder is optional and not included!**

**AccuPower** is offering an OEM/ODM service - where customers can customize their own design.